

Hamilton Beach®

Juice Extractor



Thank You!

Thank you for purchasing our products.
 If you have any questions about your
 appliance, don't return the
 product to the store—we can help you.

Please call Customer Service for
 assistance. Thank you for choosing
 our products!

Important Safeguards	2
Know Your Juice Extractor	3
How to Assemble.....	4
How to Use.....	4
Fruit & Vegetable Preparation.....	5
Caring For Your Juice Extractor.....	7
Recipes	7
Customer Service	12

In USA: 1-800-851-8900
In Canada: 1-800-267-2826

IMPORTANT SAFEGUARDS

When using electrical appliances, basic safety precautions should be observed, including the following:

1. Read all instructions.
2. To protect against risk of electrical shock, do not immerse cord, plug, or motor base in water or other liquid.
3. Close supervision is necessary when any appliance is used by or near children.
4. Unplug cord from outlet when not in use, before putting on or taking off parts, and before cleaning.
5. Avoid contacting moving parts. Keep fingers out of food chute.
6. Always make sure juice extractor cover is clamped securely in place before motor is turned on. Do not unfasten cover latch while juice extractor is in operation.
7. Never operate without pulp bin in place.
8. Be sure to turn switch to OFF position after each use of your juice extractor. Make sure the motor stops completely before disassembling.
9. Do not put fingers or other objects into the juice extractor food chute while it is in operation. Never feed food by hand – always use the food pusher. If food becomes lodged in the opening, use food pusher to push it down. When this method is not possible, turn the motor off, unplug the cord from the outlet, and disassemble juicer to remove the remaining food.
10. Do not operate any appliance with a damaged cord or plug, or after the appliance malfunctions or is dropped or damaged in any manner. Call our toll-free customer service number for information on examination, electrical repair, mechanical repair or adjustment.
11. The use of attachments not recommended or sold by Hamilton Beach/Proctor-Silex, Inc. may cause fire, electric shock, or injury.
12. Do not use outdoors.
13. Do not let cord hang over edge of table or counter, or touch hot surfaces, including stove.
14. Do not leave juice extractor unattended while it is operating.
15. Blades are sharp; handle carefully.
16. Keep hair, clothing, and jewelry, as well as spatulas and other utensils, away from food chute during operation to prevent the possibility of severe injury to persons and/or damage to the appliance.
17. The cutter/strainer is a very delicate screen not covered under the warranty. Do not wash in an automatic dishwasher. If bent or damaged, do not use, as it could break into small pieces and cause personal injury and/or damage the appliance. Call our toll-free customer service number to order a new cutter/strainer. Replace cutter when it shows signs of wear.

SAVE THESE INSTRUCTIONS!

Consumer Safety Information

This appliance is intended for household use only.

To avoid an electrical circuit overload, do not use another high wattage appliance on the same circuit with your juice extractor.

This appliance is equipped with a polarized plug. This type of plug has one blade wider than the other. The plug will fit into an electrical outlet only one way. This is a safety feature intended to help reduce the risk of electrical shock. If you are unable to insert the plug into the outlet, try reversing the plug. If the plug should still fail to fit, contact a qualified electrician to replace the

obsolete outlet. Do not attempt to defeat the safety purpose of the polarized plug by modifying the plug in any way.

The length of the cord used on this appliance was selected to reduce the hazards of becoming tangled in, or tripping over a longer cord. If a longer cord is necessary an approved extension cord may be used.

The electrical rating of the extension cord must be equal to or greater than the rating of the juice extractor. Care must be taken to arrange the extension cord so that it will not drape over the countertop or tabletop where it can be pulled on by children or accidentally tripped over.

⚠ WARNING

To reduce risk of personal injury and/or damage to your juice extractor:

- Never wash cutter/strainer or other removable parts in a dishwasher.
- Always inspect cutter/strainer before each use.
- Never use a cracked, bent or damaged cutter/strainer.

IMPORTANT INFORMATION: The cutter/strainer is a very delicate screen subject to wear, and therefore is not covered under warranty. Call our toll-free customer service number to order a new cutter/strainer.

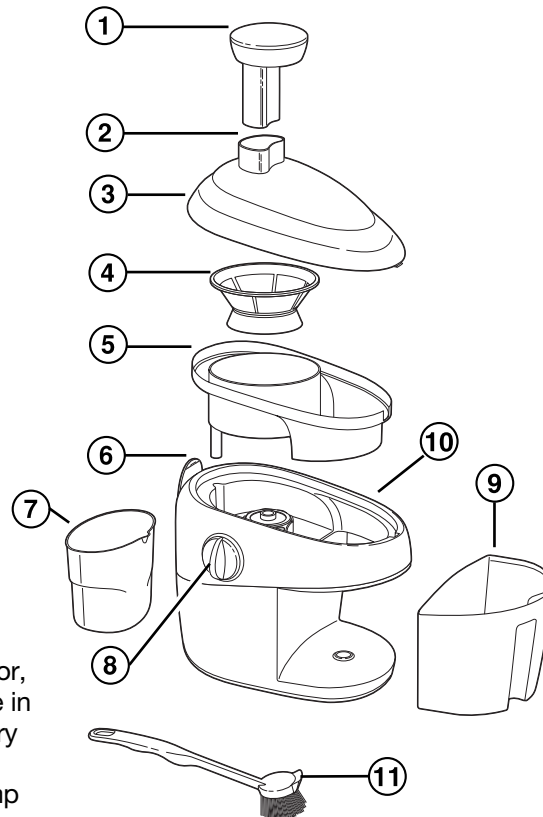
Know Your Juice Extractor

To Disassemble: Unplug cord from outlet. Unlock safety latch by pulling out bottom of latch. Remove cover, then lift up separator with cutter/strainer.

1. Food Pusher
 2. Food Chute
 3. Cover
 4. Cutter/Strainer
 5. Separator
 6. Safety Latch
 7. Juice Cup*
 8. Power Switch
 9. Pulp Bin
 10. Motor Base
 11. Cleaning Brush*
- * Featured on selected models

Before First Use:

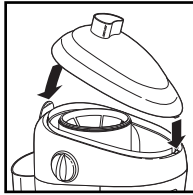
After unpacking the juice extractor, wash everything except the base in warm, soapy water. Rinse and dry immediately. Never immerse the base in water; wipe it with a damp sponge.



How to Assemble

Read and follow instructions in "Before First Use."

1. Place separator on top of base as shown on page 3.
2. Place cutter/strainer into separator and gently push until firmly in place. Once in place, the cutter/strainer should spin easily.
3. Hook cover to base on one side.
4. Position the top of safety latch in place, then push in at bottom to lock. **DO NOT OPERATE UNIT UNTIL SAFETY LATCH IS LOCKED.**
5. Place pulp bin in place. Slide top in first, then bottom, and snap into place.
6. Place a juice cup in position, under juice spout.



Place cover on top of separator and cutter/strainer.

NOTE: Check the pulp bin frequently. It is important to empty the pulp bin when full and to clean out the separator.

How to Use

1. For more information, see "Fruit & Vegetable Preparation."
2. Cut food into pieces to fit the food chute.
3. Plug cord into 120 volt AC outlet.
4. Be sure juice container and pulp bin are in place.
5. Turn switch to on. The unit will not turn on until safety latch has been closed.
6. Place food in food chute and press lightly with food pusher. **NEVER USE FINGERS OR UTENSILS OTHER THAN THE FOOD PUSHER AS A FOOD PUSHER.** Food should be placed in food chute only when unit is operating. Food can be continuously placed in food chute without having to turn unit off.
7. When pulp bin is full, turn unit off. It is very important to empty the pulp bin when full. For best performance, empty pulp bin and clean cutter/strainer and separator often.
8. When juicing is completed, or when pulp bin or juice container need to be emptied, turn unit off and unplug from outlet. Immediately wash cutter/strainer according to instructions.

Important Information

- The juice extractor is manufactured for **NORMAL HOUSEHOLD USE**. If you have large quantities, such as 10 pounds or more, process in small batches, allowing motor to cool completely between uses.
- When juicing **CARROTS**, **DO NOT PACK** food chute. Place carrots in food chute one by one, and use gentle pressure.
- **DO NOT OVERLOAD THE FOOD CHUTE.** For best results, simply drop food pieces, one at a time, into chute. Gently and slowly press with food pusher. This will extract the maximum amount of juice.
- If the juice extractor **SEEMS TO STRUGGLE** or slow down, turn the unit **OFF** and unplug. Thoroughly wash the cutter/strainer and separator according to instructions. Reassemble and continue juicing.

Fruit & Vegetable Preparation

Wash fruits and vegetables thoroughly. Remove pits, stones, and large seeds from apricots, cherries, peaches, plums, etc. Peel thick-skinned fruits and vegetables such as oranges, lemons, grapefruit, tangerines, watermelons, pineapples and winter squash.

Juicing Tips & Techniques

- Juicing avocados or bananas produces a puree rather than a juice.
- Form leafy vegetables into compact balls or rolls before inserting into food chute.
- One pound of raw produce usually yields one cup (8 ounces) of juice.
- When working with large quantities of fruits and vegetables, be sure to stop unit to empty pulp bin as it begins to fill. The cutter/strainer should also be cleaned, as the extraction will decrease considerably.
- If you desire a clear juice, filter juice through layers of cheesecloth or a coffee filter. This will also remove any foam which results during juicing.
- To keep juices from discoloring during storage, add a few teaspoons of lemon juice or ascorbic acid powder.
- Serve juices immediately, as the flavor and nutrient content decreases rapidly when juices are stored. If it is necessary to juice fruits and vegetables some time before serving, cover container tightly and refrigerate. Do not store for more than 24 hours.
- The flavor, color, and consistency of freshly juiced fruits will be different from canned juices.
- Substitute fruit or vegetable juices for stock or water in cooking.
- Some pulp remaining in juice is normal. It increases the juice's flavor and nutritive value.
- Potato juice can be used in place of cornstarch or flour as a thickening agent in gravies and soups.
- Vegetable juice mixed with carrot juice will produce a sweeter vegetable flavor.
- Freeze vegetable pulp for use in making soups.
- The softer the texture of a fruit or vegetable, the thicker the juice produced. Apricots, peaches, pears, melons, and strawberries are soft textured fruits. The juice that is extracted from these fruits is very thick and is known as nectar. It is best to combine these juices with thinner juices, such as carrot, apple, etc. Beet greens, parsley, spinach, and watercress yield very rich and thick juices. They are very strong-flavored and taste best when combined with other fruits and vegetables.

Drink Your Fruits and Vegetables

It's easy to fit the recommended five servings of fruits and vegetables into your diet every day with the Hamilton Beach® Juicer. As you enjoy your fresh juice, consider all the vitamins and nutrients you're adding to your body with every sip:

FRUITS AND VEGETABLES	VITAMINS	NUTRIENTS
Grapefruit, Lemon, Lime	C	Folic Acid, Monoterpenes
Kiwi	C	Ellagic Acid
Mango	A	Folic Acid, Beta-Carotene, Lycopene
Cranberry	C	Proanthocyanidins
Blueberry, Raspberry, Strawberry	C	Folic Acid, Ellagic Acid
Apple	C	Quercetins
Cantaloupe	C	Beta-Carotene
Banana	B6	Potassium
Red Grapes	C	Resveratrol
Tomato	A, C	Folic Acid, Lycopene
Broccoli, Cabbage	A, C, K	Sulphoraphane
Carrots, Pumpkin	A	Beta-Carotene
Red Pepper	C	Lycopene
Collard Greens, Spinach	A, C	Folic Acid, Lutein
Celery	C	Folic Acid, Calcium
Cucumber, Green Pepper	C	Monoterpenes

Caring For Your Juice Extractor

To prolong the life of the juice extractor, it is recommended that all washable parts be washed immediately after each use.

The cutter/strainer is a very delicate screen not covered under the warranty. Do not wash in an automatic dishwasher. If bent or damaged, do not use, as it could break into small pieces and cause personal injury and/or damage the appliance. Call the toll-free customer service number to order a new cutter/strainer. Replace cutter/strainer when it shows signs of wear.

Cleaning and Storing

1. Turn OFF and unplug from electrical outlet.
2. Empty pulp bin and juice container.
3. Unlock safety latch. Remove cover. Remove separator with cutter/strainer immediately after using. Do not let food dry and harden on the cutter/strainer. For hard to remove particles, use the enclosed cleaning brush.
4. Wash food pusher, cover, separator, pulp bin, and juice container in hot, soapy water. Rinse, dry, and reassemble for storage. These parts may also be washed in the dishwasher.
5. DO NOT WASH the cutter/strainer in the dishwasher.
USE CAUTION WHEN HANDLING CUTTER/STRAINER: The cutter/strainer teeth are sharp. Handle carefully. Wash the cutter/strainer in hot, soapy water. Rinse then let dry.
6. Some foods may stain plastic parts. Make a paste of baking soda and water and rub on stained area with a damp cloth. Rinse and dry.
NOTE: Carrots will stain the unit permanently.
7. Wipe outside of base with a damp cloth. Never immerse base in water.

Recipes

The following drink recipes yield a single serving of 6 to 10 ounces.

Red Tango

½ cup cranberries
2 tangerines
½ teaspoon sugar

Juice cranberries, then tangerines.
Add sugar to juice.

Sweet Cranberry Zing

¼-inch slice fresh ginger
½ cup cranberries
1½ cups white grapes
Sugar to taste

Juice ginger first, then cranberries, then grapes. Add sugar to juice if needed.

Autumn Zing

⅛-inch slice fresh ginger
2 whole carrots
½ apple

Juice ginger first, then carrots, then apple.

Tropical Morning

2 oranges
¼ fresh pineapple
Juice oranges and pineapple.

Mango Pineapple Zing

¼-inch slice fresh ginger
 ½ mango
 ¼ fresh pineapple
 Juice ginger first, then mango, then pineapple.

Cranberry Breeze

½ cup cranberries
 1 apple
 1 cup white grapes
 Juice cranberries first, then apple and grapes.

Kiwi Surprise

1 kiwi fruit, not peeled
 ¼ lime
 1½ cup white grapes
 Sugar to taste
 Juice kiwi first, then lime and grapes.
 Add sugar to juice if needed.

Dawn Delight

½ beet
 1 celery stalk
 1 apple
 Juice beet first, then celery and apple.

Paradise Sunrise

½ mango
 1 cup strawberries
 ½ cup white grapes
 Juice mango first, then strawberries and grapes.

Melon Delight

⅓ honeydew melon
 ¼ cantaloupe
 ¼ cup white grapes
 Juice honeydew first, then cantaloupe and grapes.

Sweet Banana Delight

½ banana
 1½ apples
 1 teaspoon honey
 Juice banana first, then apple. Add honey to juice.

Berry Blitz

½ cup cranberries
 ½ cup raspberries
 ½ cup strawberries
 ½ cup white grapes
 1 teaspoon honey

Juice cranberries first, then raspberries, strawberries, and grapes. Add honey to juice.

Cinnamon Special

2 apples
 Cinnamon

Slice apples. Generously sprinkle with cinnamon and push slices through juice extractor.

Banana Citrus Surprise

½ banana
 1 tangerine
 ½ cup white grapes
 Juice banana first, then tangerine and grapes.

Veggie Patch

¼ small head cabbage
 1 celery stalk
 1 apple
 Juice cabbage first, then celery and apple.

Tomato Zest

½ small clove garlic
 ¼ green pepper
 1 celery stalk
 1 large tomato
 Juice garlic and green pepper first, then celery and tomato.

Orange Zing

3 oranges
 ⅛-inch slice fresh ginger
 Juice oranges with ginger slice.

Garden Glory

¼ small head cabbage
1-2 fresh basil leaves
1 stalk broccoli (3-4 flowerets with stalk)
1 celery stalk
1 apple

Juice cabbage and basil first, then broccoli, celery, and apple.

Apple Tang

1 apple
1 tangerine

Juice apple then tangerine.

Hot Veggie Delight

2 broccoli flowerets with stalk
¼ green pepper
1 carrot
1 celery stalk
1 tomato

Tabasco sauce to taste

Juice broccoli and green pepper first, then carrot, celery and tomato. Add Tabasco sauce.

Summer Concentrate Mix

½ cup raspberries
1 lemon
1 lime
1 tablespoon sugar
Sparkling water

Juice raspberries first, then lemon and lime. Add sugar to juice. Mix with sparkling water (1½ tablespoons concentrate to 8 ounces sparkling water.) **Makes 16 tablespoons concentrate or 10 servings.**

Lemonberry Concentrate Mix

1 cup strawberries
2 lemons
Sugar
Sparkling water

Juice strawberries first, then lemons. Add sugar to juice. Mix with sparkling water. (1½ tablespoons concentrate to 8 ounces sparkling water.) **Makes 16 tablespoons concentrate or 10 servings.**

Carrot Cake

5 to 8 carrots, or enough to produce
1½ cups carrot pulp and ½ cup
carrot juice

1 cup flour
1½ teaspoons baking powder
½ teaspoon cinnamon
½ teaspoon salt
2 eggs

1 cup granulated sugar
¾ cup salad oil
2 teaspoons vanilla
½ cup chopped nuts
Confectioners sugar

Preheat oven to 350°F. Process carrots in juice extractor. Measure and set aside 1½ cups pulp and ½ cup juice. Mix flour, baking powder, cinnamon and salt together, set aside. Combine eggs, sugar and salad oil in medium size bowl. Add flour mixture alternately with pulp and carrot juice. Add vanilla and chopped nuts; stir to combine. Pour into well greased 9-inch baking pan; bake 35 to 40 minutes. After cake cools sprinkle with confectioners sugar.

Green Pepper Relish

8 green peppers, seeded
3 medium onions, peeled
½ cup sugar
1 teaspoon salt
1½ cup white vinegar
½ teaspoon celery salt

Process peppers and onions in juice extractor. Combine juices and pulps in saucepan. Bring to boiling point. Drain. Add remaining ingredients; mix. Bring to a boil and cook 10 minutes. Pack jars and seal. **Makes 3 pints.**

Customer Service

Call our toll-free customer service numbers. Please note the model, series, and type number located on the bottom of the juice extractor, or have the unit close by. This will help us answer your question.

LIMITED WARRANTY

This product is warranted to be free from defects in material and workmanship for a period of two (2) years for Hamilton Beach Portfolio products or one (1) year for Hamilton Beach products from the date of original purchase, except as noted below. During this period, we will repair or replace this product, at our option, at no cost. THE FOREGOING WARRANTY IS IN LIEU OF ANY OTHER WARRANTY, WHETHER EXPRESS OR IMPLIED, WRITTEN OR ORAL INCLUDING ANY WARRANTY OF MERCHANTABILITY OR FITNESS FOR A PARTICULAR PURPOSE. ANY LIABILITY IS EXPRESSLY LIMITED TO AN AMOUNT EQUAL TO THE PURCHASE PRICE PAID, AND ALL CLAIMS FOR SPECIAL, INCIDENTAL AND CONSEQUENTIAL DAMAGES ARE HEREBY EXCLUDED. There is no warranty with respect to the following, which may be supplied with this product: glass parts, glass containers, cutter/strainer, blades, and/or agitators. This warranty extends only to the original consumer purchaser and does not cover a defect resulting from abuse, misuse, neglect, use for commercial purposes, or any use not in conformity with the printed directions. This warranty gives you specific legal rights, and you may also have other legal rights which vary from state to state, or province to province. Some states or provinces do not allow limitations on implied warranties or special, incidental or consequential damages, so the foregoing limitations may not apply to you.

If you have a claim under this warranty, DO NOT RETURN THE APPLIANCE TO THE STORE! Please call our CUSTOMER SERVICE NUMBER. (For faster service please have model, series, and type numbers ready for operator to assist you.)

CUSTOMER SERVICE NUMBERS

In the U.S. 1-800-851-8900

In Canada 1-800-267-2826

Web site address: www.hamiltonbeach.com

KEEP THESE NUMBERS FOR FUTURE REFERENCE!

HAMILTON BEACH ♦ PROCTOR-SILEX, INC.

263 Yadkin Road Southern Pines, North Carolina 28387

840118200

hamiltonbeach.com

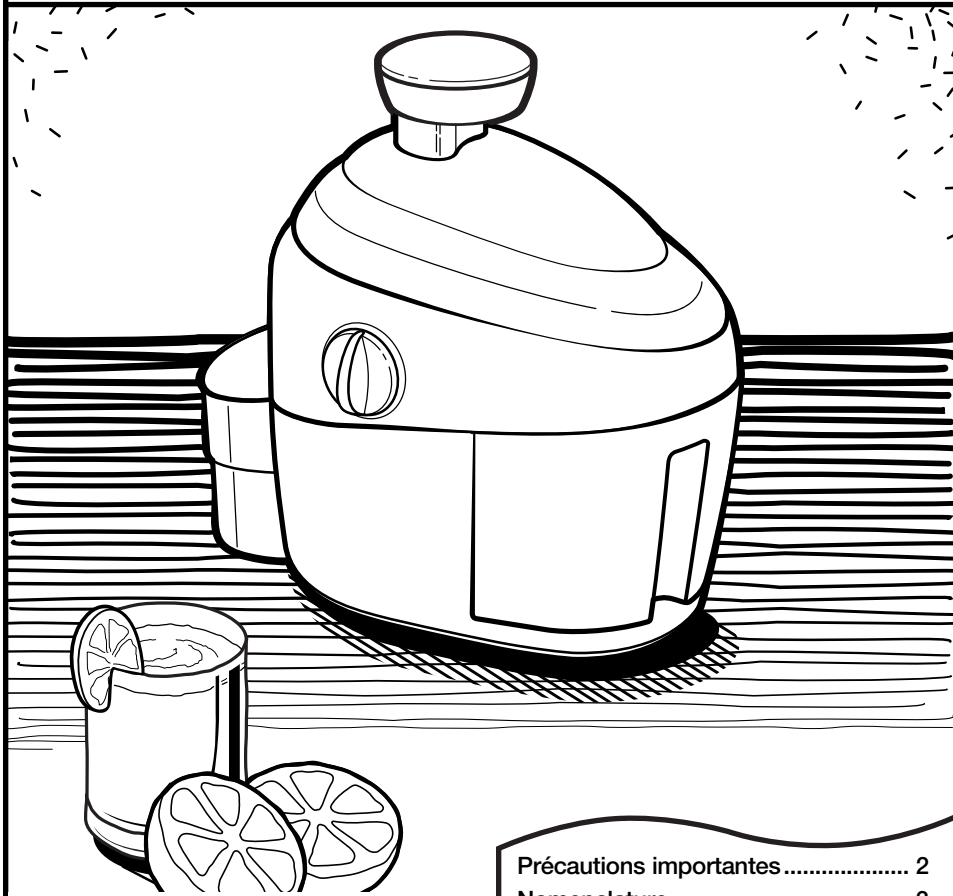
PROCTOR-SILEX CANADA, INC.

Picton, Ontario K0K 2T0

1003

Hamilton Beach®

Centrifugeuse



Merci!

Merci d'avoir acheté nos produits. Si vous avez des questions au sujet de votre appareil, ne retournez pas le produit au magasin; nous pouvons vous aider.

Veuillez appeler le service à la clientèle pour assistance. Merci d'avoir choisi nos produits.

Précautions importantes.....	2
Nomenclature.....	3
Avant la première utilisation	3
Assemblage de la centrifugeuse.....	4
Utilisation.....	4-5
Préparation des fruits et légumes..	5-6
Entretien de votre centrifugeuse.....	7
Recettes	8-10
Service aux clients.....	12

Aux É.-U. : 1-800-851-8900
Au Canada : 1-800-267-2826

PRÉCAUTIONS IMPORTANTES

Certaines précautions de base doivent être respectées lors de l'utilisation d'appareils électriques, dont les consignes suivantes :

1. Veuillez lire toutes les instructions.
2. Afin d'éviter tout risque de choc électrique, veillez à ne jamais placer le cordon d'alimentation, la fiche ou la base du moteur dans de l'eau ou autre liquide.
3. Veillez à surveiller de près l'utilisation de l'appareil lorsque celui-ci est utilisé par des enfants ou non loin d'eux.
4. Veillez à débrancher l'appareil entre les utilisations, avant ou après la mise en place de ses différents éléments ou avant de le nettoyer.
5. Évitez le contact avec les éléments mobiles. Veillez à ne pas mettre les doigts dans l'entonnoir.
6. Assurez-vous toujours que le couvercle de la centrifugeuse est correctement verrouillé avant de mettre le moteur en marche. Ne déverrouillez pas les loquets pendant que la centrifugeuse est en marche.
7. N'utilisez jamais l'appareil sans que le bac à pulpe ne soit en place.
8. Assurez-vous de mettre la centrifugeuse sur la position «OFF» (arrêt) après chaque utilisation. Assurez-vous que le moteur est complètement arrêté avant de démonter l'appareil.
9. Ne mettez ni les doigts ni aucun objet dans l'entonnoir de la centrifugeuse lorsque celle-ci est en marche. N'introduisez jamais d'aliments à la main - Servez-vous toujours du poussoir. Si des aliments se coincent dans l'ouverture, servez-vous du poussoir pour les enfoncer. Lorsque cela n'est pas possible, éteignez le moteur, débranchez la prise de la fiche, et démontez la centrifugeuse pour procéder au retrait des aliments coincés.
10. Ne vous servez pas d'un appareil dont le cordon d'alimentation ou la prise est défectueux, s'il ne fonctionne pas normalement, ou s'il est tombé ou a été endommagé de quelque façon que ce soit. Veuillez appeler notre numéro sans frais d'assistance à la clientèle pour obtenir tout renseignement sur l'inspection, les réparations ou les réglages de l'appareil.
11. L'utilisation d'accessoires qui ne sont ni recommandés ni vendus par Hamilton Beach/Proctor-Silex, Inc. risque de provoquer un incendie, un choc électrique ou des blessures.
12. Veuillez ne pas utiliser cet appareil à l'extérieur.
13. Assurez-vous de ne pas laisser le cordon d'alimentation pendre de la table ou du comptoir ou entrer en contact avec une surface chaude, cuisinière y compris.
14. Veuillez ne pas vous éloigner de la centrifugeuse lorsque celle-ci est en marche.
15. Veuillez manipuler les lames avec précaution car elles sont coupantes.
16. Veillez à ne pas approcher de l'entonnoir cheveux, vêtements, bijoux, spatules ou ustensiles, pendant la marche de l'appareil, afin d'éviter tout risque de blessures graves ou d'endommagement de la machine.
17. La lame/passoire est un filtre très fragile non couvert par la garantie. Ne la passez pas au lave-vaisselle. Ne l'utilisez pas si elle est tordue ou endommagée car elle pourrait se briser en petits morceaux et occasionner des blessures ou endommager l'appareil. Veuillez appeler notre numéro sans frais d'assistance à la clientèle afin de commander une nouvelle lame/passoire. Remplacer la lame quand il montre des signes d'usure.

CONSERVEZ CES INSTRUCTIONS!

Renseignements concernant la sécurité de l'utilisateur

Cet appareil a été conçu uniquement pour un usage domestique.

Pour éviter de surcharger un circuit, ne pas faire fonctionner un autre appareil à haute tension sur le même circuit que la centrifugeuse.

Cet appareil est muni d'une fiche polarisée. Ce type de fiche présente une broche plus

large que l'autre. La fiche peut être introduite dans une prise que dans un sens seulement.

Il s'agit d'une caractéristique de sécurité visant à réduire le risque de choc électrique. Si la fiche ne peut pas être insérée dans la prise, la tourner dans l'autre sens. Si elle ne peut toujours pas être insérée dans la prise, contacter un électricien qualifié pour qu'il remplace la prise désuète. Ne pas essayer

de contourner l'objectif de sécurité de la fiche polarisée en la modifiant de quelque manière que ce soit.

La longueur du cordon de cet appareil a été choisie de façon à ce que l'on ne risque pas de trébucher dessus. Si un cordon plus long est nécessaire, utiliser une rallonge

appropriée. Le calibrage de la rallonge doit être le même que celui de l'appareil ou supérieur. Lorsqu'on utilise une rallonge, s'assurer qu'elle ne traverse pas la zone de travail, que des enfants ne puissent pas tirer dessus par inadvertance et qu'on ne puisse pas trébucher dessus.

⚠ AVERTISSEMENT

Pour réduire le risque de blessure personnelle et/ou d'endommagement de la centrifugeuse :

- **Ne jamais laver la lame/passoire ou autre pièce amovible dans un lave-vaisselle**
- **Toujours inspecter la lame/passoire avant chaque utilisation.**
- **Ne jamais utiliser une lame/passoire craquée, déformée ou endommagée.**

RENSEIGNEMENT IMPORTANT : La lame/passoire est un filtre très fragile sujet à l'usure et par conséquent non couvert par la garantie. Composer notre numéro sans frais de service à la clientèle pour commander une nouvelle lame/passoire.

Nomenclature

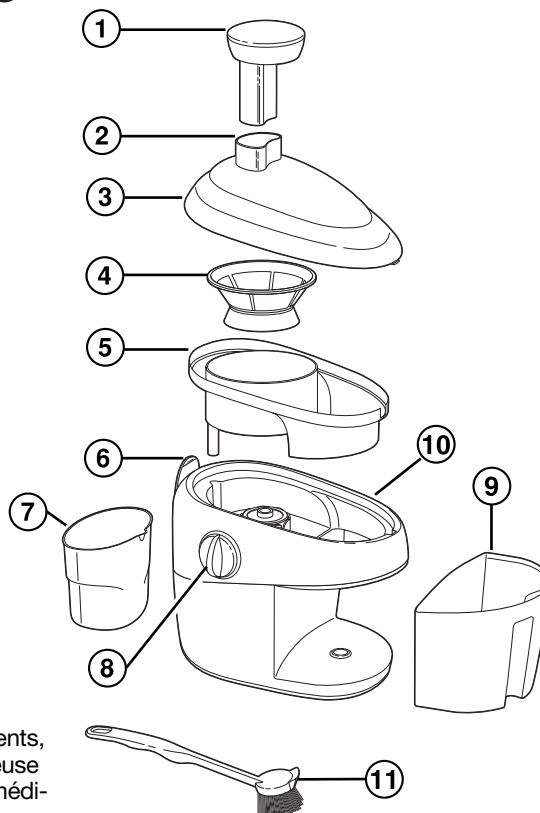
Démontage de l'appareil :
Débranchez le cordon de la prise. Déverrouillez le loquet de sécurité en retirant le bas. Retirez le couvercle et soulevez alors le séparateur avec la lame/passoire.

1. Poussoir
2. Entonnoir
3. Couvercle
4. lame/passoire
5. Séparateur
6. Loquet de sécurité
7. Récipient à jus*
8. Commutateur
9. Bac à pulpe
10. Socle-moteur
11. Brosse pour nettoyer*

* Caractéristiques sur modèles choisis

Avant la première utilisation :

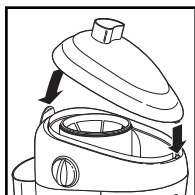
Une fois la centrifugeuse sortie de son emballage, veuillez laver tous les éléments, à l'exception du socle, à l'eau savonneuse tiède, puis les rincer et les essuyer immédiatement. Veuillez ne jamais immerger le socle dans l'eau. Nettoyez-le à l'aide d'une éponge humide.



Assemblage de la centrifugeuse

Veillez lire les instructions sous la rubrique «Avant la première utilisation» et vous y conformer.

1. Mettez le séparateur sur le socle comme le montre l'illustration à la page 3.
2. Posez la lame/passoire dans le séparateur et appuyez légèrement jusqu'à ce qu'elle soit bien en place. Une fois en place, le couteau/tamis devrait pouvoir tourner librement.



3. Enclenchez le couvercle sur un côté du socle. Placez le couvercle au sommet du séparateur et de la lame/passoire.

4. Positionnez correctement le haut des deux loquets de sécurité et abaissez les loquets pour verrouiller. Verrouillez les deux côtés.

L'APPAREIL NE FONCTIONNE PAS TANT QUE LES DEUX LOQUETS DE SÉCURITÉ NE SONT PAS VERROUILLÉS.

5. Mettez le bac à pulpe en place. Commencez par faire glisser le haut, puis le bas et enclenchez-le.
6. Mettez le juice cup, sous le bec à jus.

REMARQUE : Vérifier le bac à pulpe fréquemment. Il est important de vider le bac à pulpe quand il est plein et de nettoyer le séparateur.

Utilisation

1. Pour obtenir davantage de renseignements, reportez-vous à la section «Préparation des fruits et légumes».
2. Coupez les aliments en morceaux pouvant rentrer dans l'entonnoir.
3. Branchez le cordon d'alimentation dans une prise de courant de 120 volts CA.
4. Assurez-vous que le récipient à jus et le bac à pulpe sont en place.
5. Relevez la commande marche-arrêt pour mettre l'appareil en marche. L'appareil ne se met en marche qu'une fois le loquet de sécurité verrouillé.
6. Introduisez les aliments dans l'entonnoir et appuyez légèrement à l'aide du poussoir. **NE VOUS SERVEZ JAMAIS DES DOIGTS OU**

D'USTENSILES AUTRES QUE LE POUSSOIR COMME POUSSOIR. Ne placer les aliments dans l'entonnoir que lorsque l'appareil est en marche. Les aliments peuvent être placés dans l'entonnoir de façon continue, sans éteindre l'appareil.

7. Lorsque le bac à pulpe est plein, éteindre l'appareil. Il est très important de vider le bac à pulpe quand il est plein. Pour le meilleur rendement, vider le bac à pulpe et nettoyer souvent la lame/passoire et le séparateur.
8. Lorsque le jus est prêt, ou lorsqu'il est nécessaire de vider le bac à pulpe ou le récipient à jus, éteignez l'appareil et débranchez-le de la prise de courant. Lavez immédiatement la lame/passoire conformément aux instructions données.

Renseignements importants

- La centrifugeuse est conçue pour un **USAGE DOMESTIQUE NORMAL**. Si vous souhaitez utiliser des quantités importantes d'aliments, 10 livres (5 kilos) ou plus, veuillez les passer en plusieurs fois, en laissant le moteur refroidir complètement entre chaque utilisation.
- Lorsque vous préparez du jus de carottes, veillez à **NE PAS BOURRER** l'entonnoir de carottes. Introduisez les carottes une par une dans l'entonnoir, et appuyez légèrement.
- **NE REMPLISSEZ PAS TROP L'ENTONNOIR**. L'appareil fonctionne mieux si vous vous contentez de laisser tomber les morceaux un à un dans l'entonnoir. Appuyez légèrement et lentement à l'aide du poussoir. Cette méthode vous permettra de recueillir le maximum de jus.
- Si la centrifugeuse **SEMBLE PEINER** ou si elle ralentit, veuillez éteindre l'appareil et le débrancher. Lavez alors soigneusement la lame/passoire et le séparateur conformément aux instructions. Réassemblez la machine et reprenez la préparation du jus.

Préparation des fruits et légumes

Lavez soigneusement les fruits et les légumes. Retirez les noyaux et les gros pépins des abricots, des cerises, des pêches, des prunes, etc. Veuillez éplucher les fruits et légumes à peau épaisse - oranges, citrons, pamplemousses, mandarines, melon d'eau, ananas et potiron.

Conseils et techniques de préparation de jus

- Les bananes ou les avocats donnent plutôt de la purée que du jus.
- Roulez les légumes à feuilles en boules ou en rouleaux avant de les introduire dans l'entonnoir.
- Une livre (½ kilo) d'ingrédients crus donne environ une tasse (225 ml) de jus.
- Lorsque vous utilisez de grandes quantités de fruits et de légumes, assurez-vous d'éteindre l'appareil pour vider le bac à pulpe à mesure qu'il se remplit. Il est également important de laver la lame/passoire sans quoi l'efficacité et le pouvoir d'extraction risquent d'être considérablement réduits.
- Pour obtenir un jus clair, filtrez-le à travers plusieurs épaisseurs de mousseline ou bien à travers un filtre à thé. Ce procédé éliminera également la mousse qui aurait pu se former pendant la préparation du jus.
- Pour éviter que les jus ne perdent leur couleur avant d'être consommés, ajoutez quelques cuillerées à thé de jus de citron ou d'acide ascorbique en poudre.
- Servez les jus immédiatement car leur goût et leur contenu nutritif diminuent rapidement lorsque les jus sont mis de côté. Lorsque la situation exige que vous prépariez les jus de fruits et de légumes à l'avance, veuillez couvrir le récipient de façon étanche et le mettre au réfrigérateur. Ne conservez pas les jus plus de 24 heures.
- Le goût, la couleur et la consistance des jus de fruits frais seront différents de ceux des jus de fruits en conserve.

- Vous pouvez remplacer l'eau ou le bouillon de cuisson par du jus de légumes ou de fruits.
- Il est normal qu'il reste de la pulpe dans le jus de fruit. La pulpe renforce à la fois le goût du jus et sa valeur nutritive.
- Il est possible de remplacer la farine ou la fécule de maïs par du jus de pommes de terre pour épaissir sauces et soupes.
- Du jus de légumes mélangé à du jus de carottes donnera un goût de légumes plus sucré.
- Vous pouvez surgeler la pulpe des légumes et vous en servir pour la préparation de soupes.
- Plus la chair d'un fruit ou d'un légume est molle, plus son jus sera épais. Les abricots, les pêches, les poires, les melons et les fraises sont des fruits à chair molle. Le jus extrait de ces fruits est très épais et est connu sous le nom de nectar. Il est recommandé de mélanger ces jus à d'autres jus plus liquides tels que le jus de carottes, de pommes, etc. Les feuilles de betteraves, le persil, les épinards et le cresson donnent un jus très riche et épais, au goût très prononcé et ont meilleur goût lorsqu'ils sont mélangés au jus d'autres fruits et légumes.

Buvez vos fruits et légumes

Il est facile d'adopter les cinq portions recommandées de fruits et légumes dans votre régime quotidien, grâce à la centrifugeuse Hamilton Beach®. Alors que vous dégustez le jus frais, considérez toutes les vitamines et substances nutritives que vous donnez à votre corps à chaque gorgée :

FRUITS ET LÉGUMES	VITAMINES	SUBSTANCES NUTRITIVES
Pamplemousse, citron, lime	C	Acide folique, monoterpènes
Kiwi	C	Acide ellagique
Mangue	A	Acide folique, beta-carotène, lycopène
Canneberges	C	Proanthocyanidines
Bleuets, framboises, fraises	C	Acide folique, acide ellagique
Pomme	C	Quercétine
Cantaloup	C	Beta-carotène
Banane	B6	Potassium
Raisins rouges	C	Resvératrol
Tomate	A, C	Acide folique, lycopène
Brocoli, chou	A, C, K	Sulphoraphane
Carottes, citrouille	A	Beta-carotène
Poivron rouge	C	Lycopène
Feuilles de chou vert, épinards	A, C	Acide folique, lutéine
Céleri	C	Acide folique, calcium
Concombre, poivron vert	C	Monoterpènes

Entretien de votre centrifugeuse

Pour prolonger la durée de vie de la centrifugeuse, il est recommandé de laver tous les éléments lavables immédiatement après chaque utilisation.

La lame/passoire est un filtre très fragile non couvert par la garantie. Ne la passez pas au lave-vaisselle. Si la lame/passoire est tordue ou endommagée, ne l'utilisez pas, pour éviter qu'elle ne se brise en petits morceaux et occasionne des blessures ou endommage l'appareil. Veuillez appeler notre numéro sans frais d'assistance à la clientèle afin de commander une lame/passoire neuve. Remplacer la lame/passoire quand elle montre des signes d'usure.

Nettoyage et rangement

1. Éteignez l'appareil et débranchez-le de la prise de courant.
2. Videz le contenu du bac à pulpe et du récipient à jus.
3. Déverrouillez le loquet de sécurité. Retirez le couvercle. Retirez le séparateur avec le couteau/tamis immédiatement après utilisation. Ne laissez aucun aliment sécher et durcir sur la lame/passoire. Pour les particules difficiles à enlever, utilisez la brosse fournie.
4. Lavez le poussoir, le couvercle, le séparateur, le bac à pulpe et le récipient à jus à l'eau chaude savonneuse. Rincez, essuyez et réassemblez les éléments avant de ranger l'appareil. Ces pièces peuvent aussi être lavées au lave-vaisselle.
5. **NE PAS LAVÉ** le couteau/tamis au lave-vaisselle. **FAIRE ATTENTION EN MANIPULANT LA LAME/PASSOIRE** : les dents de la lame/passoire sont coupantes. Manipuler avec soin. Lavez la lame/passoire à l'eau chaude savonneuse. Rincez et laissez sécher.
6. Certains aliments risquent de tacher les parties en plastique. Préparez une pâte de bicarbonate de soude et d'eau et frottez-en les parties tachées à l'aide d'un linge humide. Rincez et essuyez.
REMARQUE : Les carottes tacheront l'appareil en permanence.
7. Nettoyez l'extérieur du socle à l'aide d'un linge humide. N'immergez jamais le socle dans l'eau.

Recettes

Les recettes de boissons suivantes donnent une portion individuelle de 6 à 10 onces.

Tango rouge

½ tasse de canneberges
2 tangerines
½ cuillère à thé de sucre

Extraire le jus des canneberges, puis des tangerines. Ajouter le sucre.

Boisson douce aux canneberges

1 tranche de gingembre frais de ¼ po
½ tasse de canneberges
1½ tasse de raisins blancs
Sucre au goût

Extraire tout d'abord le jus du gingembre, puis des canneberges, puis des raisins. Ajouter du sucre, au besoin.

Boisson d'automne

1 tranche de gingembre frais de ⅛ po
2 carottes entières
½ pomme

Extraire tout d'abord le jus du gingembre, puis des carottes, puis de la pomme.

Aube tropicale

2 oranges
¼ ananas frais

Extraire le jus des oranges et de l'ananas.

Boisson mangue ananas

1 tranche de gingembre frais de ¼ po
½ mangue
¼ ananas frais

Extraire tout d'abord le jus du gingembre, puis de la mangue, puis de l'ananas.

Brise aux canneberges

½ tasse de canneberges
1 pomme
1 tasse de raisins blancs

Extraire tout d'abord le jus des canneberges, puis des pommes et des raisins.

Surprise au kiwi

1 kiwi, avec la pelure
¼ lime
1⅛ tasse de raisins blancs
Sucre au goût

Extraire tout d'abord le jus du kiwi, puis de la lime et des raisins. Ajouter du sucre, au besoin.

Délice d'aurore

½ betterave
1 branche de céleri
1 pomme

Extraire tout d'abord le jus de la betterave, puis du céleri et de la pomme.

Lever de soleil paradisiaque

½ mangue
1 tasse de fraises
½ tasse de raisins blancs

Extraire tout d'abord le jus de la mangue, puis des fraises et des raisins.

Délice au melon

⅓ melon miel (honeydew)
¼ cantaloup
¼ tasse de raisins blancs

Extraire tout d'abord le jus du melon miel, puis du cantaloup et des raisins.

Délice sucré à la banane

½ banane
1½ pomme
1 cuillère à thé de miel

Extraire tout d'abord le jus de la banane, puis de la pomme. Ajouter le miel.

Boisson aux baies

½ tasse de canneberges
½ tasse de framboises
½ tasse de fraises
½ tasse de raisins blancs
1 cuillère à thé de miel

Extraire tout d'abord le jus des canneberges, puis des framboises, des fraises et des raisins. Ajouter le miel.

Pomme cannelle

2 pommes
Cannelle

Trancher les pommes. Les saupoudrer généreusement de cannelle et les passer dans la centrifugeuse.

Surprise banane agrumes

½ banane
1 tangerine
½ tasse de raisins blancs

Extraire tout d'abord le jus de la banane, puis de la tangerine et des raisins.

Boisson aux légumes

¼ petit chou
1 branche de céleri
1 pomme

Extraire tout d'abord le jus du chou, puis du céleri et de la pomme.

Boisson à la tomate

½ petite gousse d'ail
¼ poivron vert
1 branche de céleri
1 grosse tomate

Extraire tout d'abord le jus de l'ail et du poivron vert, puis du céleri et de la tomate.

Boisson à l'orange

3 oranges
1 tranche de gingembre frais de ⅛ po

Extraire le jus des oranges et du gingembre.

Gloire jardinière

¼ petit chou
1 à 2 feuilles de basilic frais
1 branche de brocoli (3 à 4 fleurettes avec la tige)
1 branche de céleri
1 pomme

Extraire tout d'abord le jus du chou et du basilic, puis du brocoli, du céleri et de la pomme.

Tangerine pomme

1 pomme
1 tangerine

Extraire le jus de la pomme, puis de la tangerine.

Délice épicé aux légumes

2 fleurettes de brocoli avec la tige
¼ poivron vert
1 carotte
1 branche de céleri
1 tomate
Sauce Tabasco au goût

Extraire tout d'abord le jus du brocoli et du poivron vert, puis de la carotte, du céleri et de la tomate. Ajouter la sauce Tabasco.

Concentré estival

½ tasse de framboises
1 citron
1 lime
1 cuillère à soupe de sucre
Eau gazeuse

Extraire tout d'abord le jus des framboises, puis du citron et de la lime. Ajouter le sucre. Ajouter l'eau gazeuse (1½ cuillère à table de jus pour 8 onces d'eau gazeuse).

Donne 16 c. à soupe de concentré ou 10 portions.

Concentré citron baies

1 tasse de fraises
2 citrons
Sucre
Eau gazeuse

Extraire tout d'abord le jus des fraises, puis des citrons. Ajouter le sucre. Ajouter l'eau gazeuse (1½ cuillère à soupe de jus pour 8 onces d'eau gazeuse). **Donne 16 c. à soupe de concentré ou 10 portions.**

Gâteau aux carottes

5 à 8 carottes ou en quantité suffisante pour produire 1½ tasse de pulpe de carotte et ½ tasse de jus de carotte

1 tasse de farine
1½ cuillère à thé de poudre à lever
½ cuillère à thé de cannelle
½ cuillère à thé de sel
2 oeufs
1 tasse de sucre cristallisé
¾ tasse d'huile à salade
2 cuillères à thé de vanille
½ tasse de noix hachées
Sucre glace

Préchauffer le four à 350°F. Passer les carottes dans la centrifugeuse. Mesurer et mettre de côté 1½ tasse de pulpe et ½ tasse de jus. Mélanger la farine, la poudre à lever, la cannelle et le sel, et mettre de côté. Mélanger les oeufs, le sucre et l'huile à salade dans un plat moyen. Ajouter le mélange de farine en alternance avec la pulpe et le jus de carotte. Ajouter la vanille et les noix hachées. Bien remuer pour mélanger. Verser dans une moule à gâteau bien graissée de 9 po. Cuire au four pendant 35 à 40 minutes. Une fois que le gâteau est refroidi, le saupoudrer de sucre glace.

Relish de poivrons verts

8 poivrons verts, égrainés
3 oignons moyens, pelés
½ tasse de sucre
1 cuillère à thé de sel
1½ tasse de vinaigre blanc
½ cuillère à thé de sel de céleri

Passer les poivrons et les oignons dans la centrifugeuse. Mélanger les jus et les pulpes dans une poêle. Porter à ébullition. Égoutter. Ajouter les autres ingrédients. Mélanger. Porter à ébullition et cuire pendant 10 minutes. Remplir les pots et les fermer hermétiquement. **Donne 3 chopines.**

Gelée de fraises

4 tasses de jus de fraises
(environ 3 pintes de fruits)
6 tasses de sucre cristallisé
1 bouteille de pectine liquide

Passer les fraises dans la centrifugeuse. Mélanger le jus et le sucre dans une casserole de 4 pintes. Régler la plaque à feu élevé et, en remuant constamment, porter à forte ébullition. Ajouter la pectine et porter à nouveau à forte ébullition. Faire bouillir pendant 1 minute. Retirer du feu. Écumer rapidement. Verser le sirop à la louche dans des bocalux stérilisés chauffés. Couvrir immédiatement d'une couche de paraffine chaude de ⅛ po. **Donne 8 à 9 bocalux de huit onces de gelée.**

Cocktail de légumes

8 tomates moyennes
1 citron, pelé
1 branche de céleri
1 carotte moyenne
1 tranche d'oignon
1 cuillère à thé de sauce Worcestershire
½ cuillère à thé de sel

Passer les fruits et les légumes dans la centrifugeuse. Ajouter les assaisonnements. **Donne 3 tasses.**

Service à la clientèle

Composez nos numéros d'assistance à la clientèle sans frais d'interurbain. Veuillez noter les numéros de modèle, de série et de type situés au bas de la centrifugeuse, ou ayez l'appareil près de vous lorsque vous faites un appel. Cette action nous aidera à répondre à vos questions.

GARANTIE LIMITÉE

Ce produit est garanti exempt de vices de matériau et de fabrication pendant une période de deux (2) ans pour les produits Hamilton Beach Portfolio ou pendant un (1) an pour les produits Hamilton Beach à partir de la date de l'achat original, excepté ce qui est noté ci-dessous. Au cours de cette période, nous réparerons ou remplacerons ce produit sans frais, à notre discrétion. LA GARANTIE CI-DESSUS REMPLACE TOUTE AUTRE GARANTIE EXPRESSE OU IMPLICITE, ÉCRITE OU ORALE, Y COMPRIS TOUTE GARANTIE DE QUALITÉ MARCHANDE OU DE CONFORMITÉ À UNE FIN PARTICULIÈRE. TOUTE RESPONSABILITÉ EST EXPRESSÉMENT LIMITÉE À UN MONTANT ÉGAL AU PRIX D'ACHAT PAYÉ ET TOUTES LES RÉCLAMATIONS POUR DOMMAGES SPÉCIAUX ET INDIRECTS SONT PAR LES PRÉSENTES EXCLUES.

La garantie ne s'applique pas aux accessoires suivants qui pourraient être vendus avec ce produit : pièces en verre, récipients en verre, couteau/tamis, lames et/ou agitateurs. Cette garantie ne s'applique qu'à l'acheteur d'origine et ne couvre pas un vice causé par l'abus, le mésusage, la négligence, l'usage à des fins commerciales ou tout autre usage non prescrit dans le mode d'emploi. Cette garantie vous confère des droits juridiques spécifiques et vous pouvez aussi jouir d'autres droits juridiques qui peuvent varier d'un État à un autre ou d'une province à une autre. Certains États ou provinces ne permettent pas les limitations sur les garanties implicites ou les dommages spéciaux ou indirects de telle sorte que les limitations ci-dessus ne s'appliquent peut-être pas dans votre cas.

Si vous désirez procéder à une réclamation en vertu de cette garantie, NE RETOURNEZ PAS L'APPAREIL AU MAGASIN! Veuillez téléphoner au NUMÉRO DU SERVICE À LA CLIENTÈLE. (Pour un service plus rapide, ayez à portée de la main les numéros de série, de modèle et de type de votre appareil lorsque vous communiquez avec un représentant.)

NUMÉROS DU SERVICE À LA CLIENTÈLE

Aux États-Unis 1-800-851-8900

Au Canada 1-800-267-2826

Adresse du site Web : www.hamiltonbeach.com

CONSERVEZ CES NUMÉROS POUR RÉFÉRENCE ULTÉRIEURE!

HAMILTON BEACH ♦ PROCTOR-SILEX, INC.

263 Yadkin Road Southern Pines, North Carolina 28387

PROCTOR-SILEX CANADA, INC.

Picton, Ontario K0K 2T0

www.hamiltonbeach.com